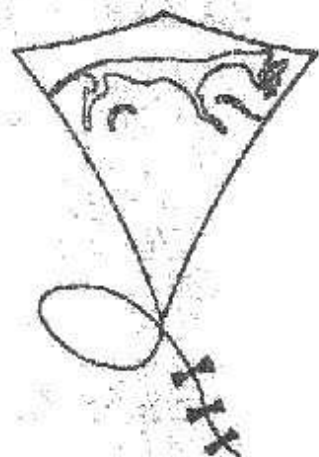


# Cowpat Hill



White Horse Kite Flyers

Winter Issue 2000

January - March

## Rambling with the Robinsons

or

## A Trip to Luenen, Germany

In Germany come October, the last big kite festival is held. And, boy is it big. It was a first for us all and the weather was sunshine, cold and WIND! This festival is well organised and plenty of fun. The food vendors do a grand job of roasting a cow and the sausages on a bun are fantastic (David's favourite part). The entertainment was well done and the comedy was very funny. We couldn't understand a word of it but those that could laughed till they dropped. Kites, kites and more kites. There were kites from all over Europe. There were so many kites I had never seen before that most of my three days was taking in the kites (and eating too), right David? Marla and I did fly kites and it was a great pleasure to do so amid so many other kites from around Europe.

Rokkaku Fighting in Germany was a new experience to say the least. David Gomberg asked Vic Eshpeter and myself to join him in the three man team. The entrants amounted to approx. 30 teams, Wow! what a mess. Well, for three aging guys we blew them away with an overall first place. And none of us ever got out of breath. Yah, right!

All in all, it is a festival that comes highly recommended. And being with the Robinson's was nice too.

Your American Rep,

Ron Miller

White Horse Kite Flyers

PO Box 585

SWINDON

SN3 4YR

# Dates for your Diary

16 April	Old Warden	
29/30 April & 1 May	Weymouth Kite Festival	
6/7 May	Stowe	
13/14 May	Swindon	
13/14 May	Suffolk Kite Festival, Rougham Airfield	
20/21 May	Cleethorpes Beach Kite Festival	
20 May	Grange Infants School, Swindon	Workshop only
27 May	Scout Worksop, Faringdon	
27/28/29 May	Tewksbury Kite Fun Weekend	
3/4 June	Basingstoke Kite Festival	
10/11 June	Wiltshire Agricultural & Steam Show, Wroughton	Workshop & demo
9 July	Petworth Kite Day	
5/6 August	Middle Wallop	Workshop
26/27/28 August	Portsmouth Kite Festival	
2/3 Sept	Bristol Kite Festival	
9/17 Sept	Dieppe	*
12 Sept	Highworth Show	Workshop & demo
17 Sept	Stonar Park, Henley	Workshop & demo
24 Sept	Old Warden	

All events are liable to alteration or change, please check with Dave, Janet, Neil or Arthur if you intend to go. \* this date has been confirmed by Dieppe Tourist Information Office.

## A thank-you from the demolition Mob, to all our friends at W.H.K.F

How very kind of you all to think of us after our recent car accident, the bouquet of flowers and the basket of fruit were lovely, we took some photos of them to show you all at a later date. We are all recovering well now, although it was a shock to all concerned. Our Vauxhall Vectra is an insurance right-off, so you may see us arriving in Donald's pick-up for a while until we have things sorted. Also thanks for all the phone calls and the e-mails enquiring about our well-being.

See you all soon.

**Donald, Sarah, Ashley & Harriett Capewell**

P.S. A special thanks to Di, Don & Phil for organising the gifts on behalf of WHKF.

## And the winner is!

The raffle winner for the Fort Worden contest is one of the White Horse Kite Flyers.

Nick Webb and Meg will be attending Fort Worden Kite Makers' Conference in March 2000, in Washington State USA.

They will be picked up at the air port by Ron and myself (has anyone told him how we show up at the air port?). We will taking good care of them and hopefully showing them a great time. I do know that they will have a brilliant time at the Kite Makers' Conference.

We wish to thank all of you that bought tickets from the pushy ticket chick. You should know that the sale of tickets covered to send four people to the conference. We cannot thank you enough.

A little warning, I'll be back next year and we are looking forward to two of you winning for 2001.

Thank you again,

Marla

## Please can anyone help?

Yes I am a little bit slow but I have just realised that when we did the Record Breaking Teddy Drop with Vic I was so involved with trying to get video coverage that I didn't get any still photos. I know that Pete Willis is getting stills off his video but the resolution even on the latest digitals is not that good. (I am still using analogue).

So if you have got any good pictures of the mass decent I would be very happy to pay for copies so that my records are complete. I should also like to scan them and put them onto my web page.

I have copies of Kitelines going back to 1992 which are now taking up too much space in my book shelves. If any one would like these and can collect at any festival or our regular Barbury meetings please contact me and they would be very welcome to them.

Arthur

## Quote (from the AGM)

I don't listen to this bit - I only listen to the raffle.

Stephanie Willis



# Robinson's Ramblings

I discovered a couple of weeks ago that I am Y2K compliant, being a Rep. One of my accounts asked me to write down the date of my next visit, 17/01/00, I was able to write down 00 without going into meltdown. Mind you after the excesses of Christmas my waistline could do with some melting down.

Here we are at the start of a New Year, that means the Festival is only just around the corner! Lots of organising to be done, lots of letter writing, (some begging). I think we are so lucky to have use of one of the best inland sites in the country. If you have any friends in the kiting community, who haven't visited our festival yet please invite them along, we have built a reputation over the years, of being the *Kite flyers' festival*

So let's keep that going!

The next festival will be our tenth, at the AGM it was decided to mark the occasion with a new pin. We thought the best way would be to hold a competition for the members to design the pin. The criteria for the design will be as follows: it must have the year 2000, the 10th year of the festival and the Club name and logo, and, don't forget, a KITE.

Design to be sent to P.O. Box 585 Swindon SN3 4YR by the end of January. Now get busy! There will be a prize for the winning entry.

We had a wonderful time at Mince Pic Fly, no winds but a good time by all. Ron and Marla joined us for the second time. We wish to thank our Chairman Mr. Harvey for getting the tent up and organising and to the lovely Sue Harvey for all of her hard work in the kitchen serving us warm soup, tea and great mince pies.

There will be an announcement in the next magazine about the next workshop, which will be in October 2000. We have the choice at the moment of Dan Kurashi, a Japanese Canadian, who speciality is miniature kites and kite trains. Also we have the possibility of Wolfgang and Constance Grimsel, from Germany. They make very interesting and unique designs. They are a fun couple and you can ask Neil Harvey about their class, as he has taken their workshop at Fort Worden. It would be nice to think we could have them all here on the same week-end. This will be dependent on the response we get from you.

May you all have a Great New Year from Janet and myself to you and your family.

Regards,

David Robinson

# Thank You

Please convey my thanks to all involved in setting up and running Sam Huston's workshop. It was a great success. The kit provided, the guidance, and the facilities were all excellent; and I think the finished Roller was even better than the Genki from his previous workshop.

The nosh up afterwards was a very enjoyable way to end a thoroughly satisfying day.

Again, thank you Sam and thank you to all concerned.

## Alan Walker Pictures

I am on the look out for pictures. If you have been at events this year you will probably have seen the photo board. I made it last year so that people could see the great variety of kites owned by Club members. It is not always possible to fly some of the bigger kites. I would love to update the board. Do you have any unwanted pictures of kites or parachuting fauna that you would like to donate to the Club? Please include any information that may give us a clue to the size of the kite.

Thanks for your help

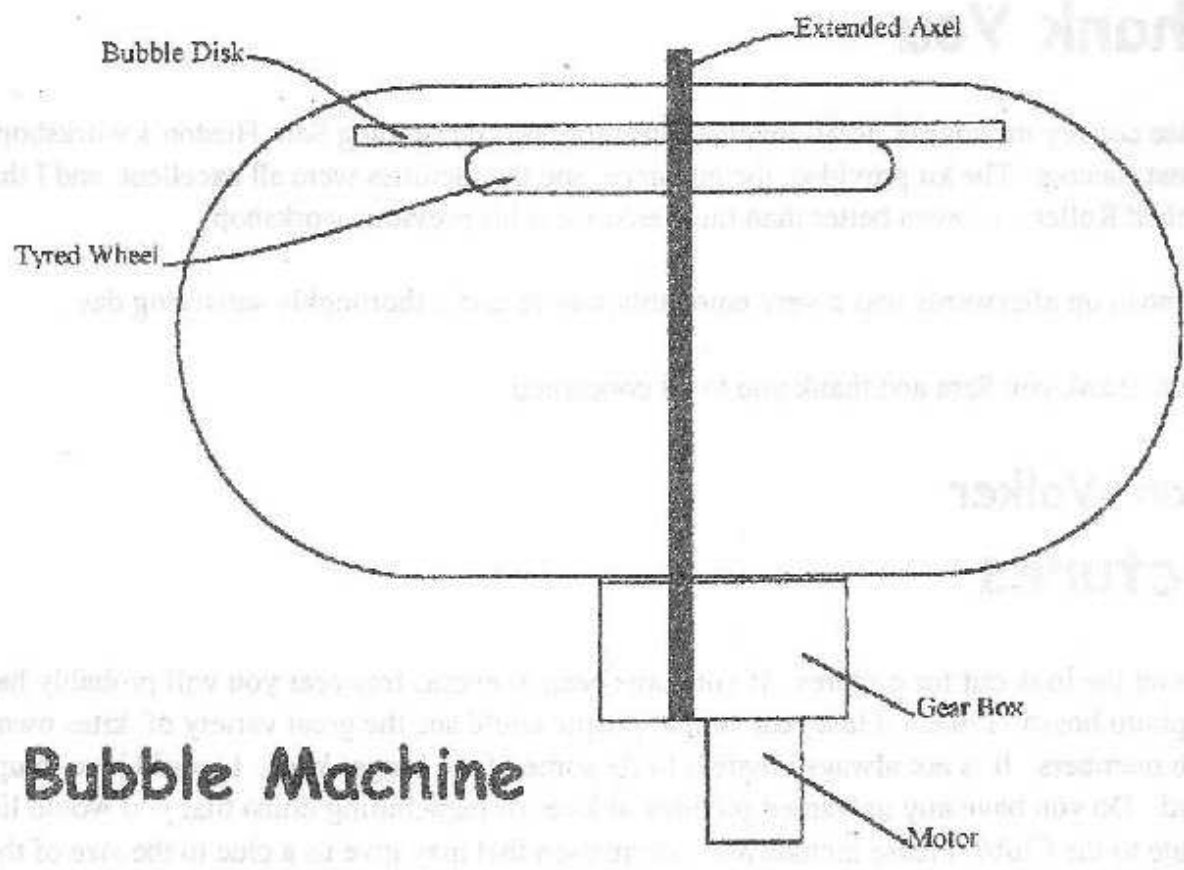
## Peter Willis Two Plans

A number of people have asked me to produce details of my Bubble Machine for this magazine. I have already got an article for this which contains helpful photographs on my web page so I am not going to put the whole thing here. However the drawing on the screen is a little small so I am giving the editors a good copy of that to publish at a readable size. If you have any queries please just give me a ring.

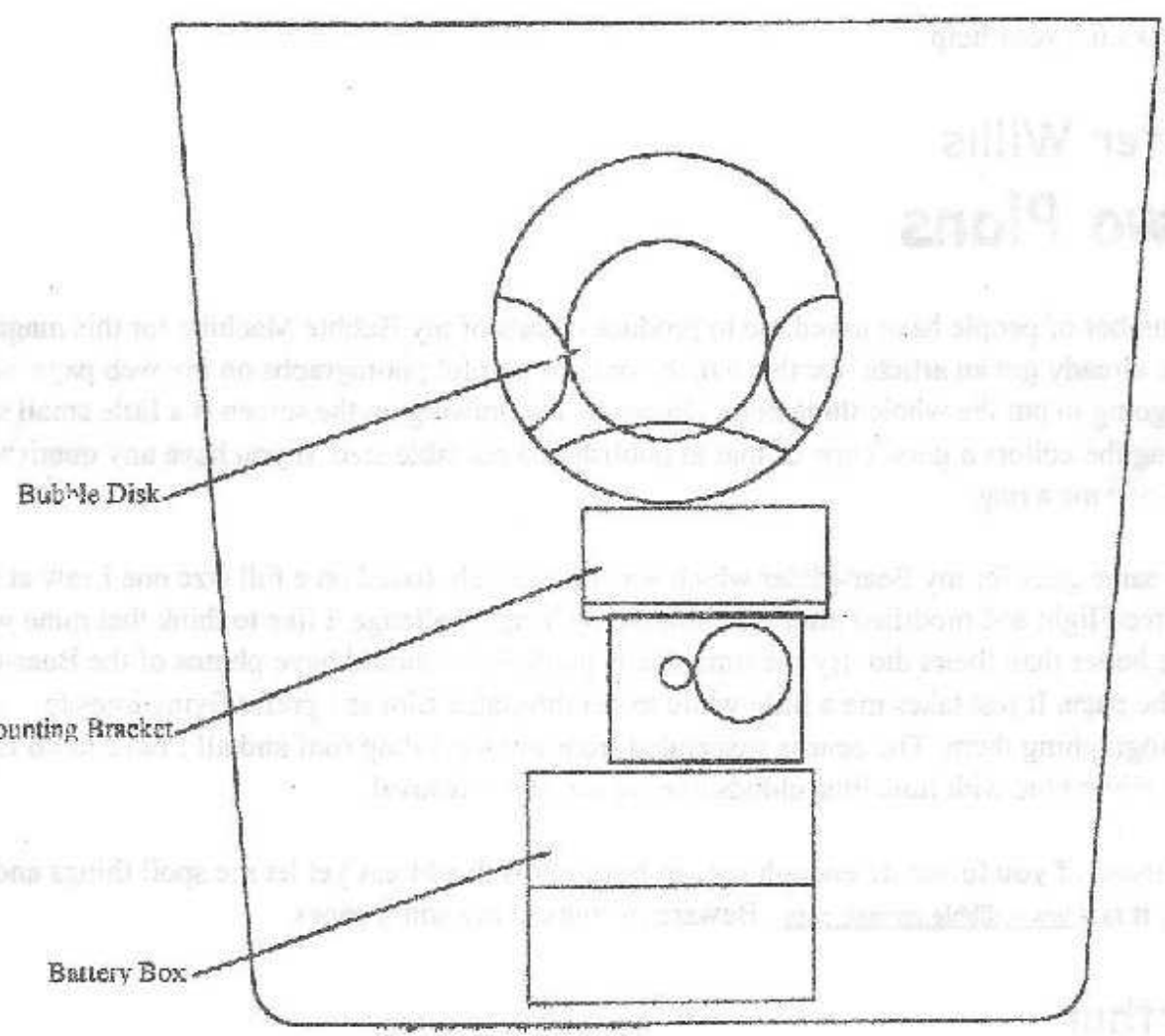
The same goes for my Bear-glider which was first loosely based on a full size one I saw at Festival of Free Flight and modified after watching Scrap Yard Challenge. I like to think that mine works a little better than theirs did. By the time this is published I should have photos of the Bear-Glider on the page. It just takes me a little while to get through a film as I prefer flying kites to photographing them. The bear is suspended from my workshop roof and all I have to do is paint the ceiling blue with little blue clouds like we see at our festival.

For those of you fortunate enough not to have my web address yet let me spoil things and advise you, it is:- [www.dibble.mcmail.com](http://www.dibble.mcmail.com). Beware of links to my son's pages.

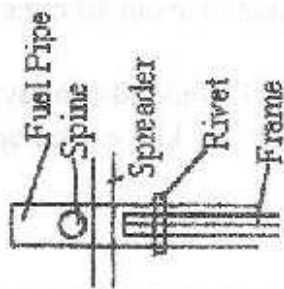
## Arthur



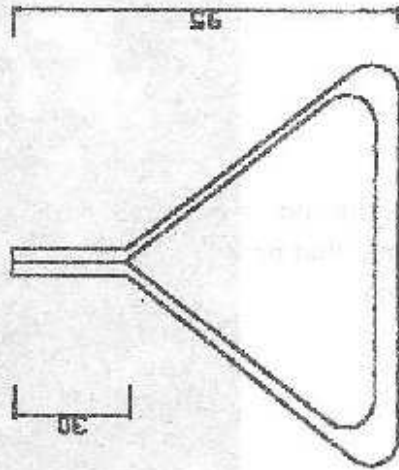
# Bubble Machine



# TEDDY BEAR HANG-GLIDER

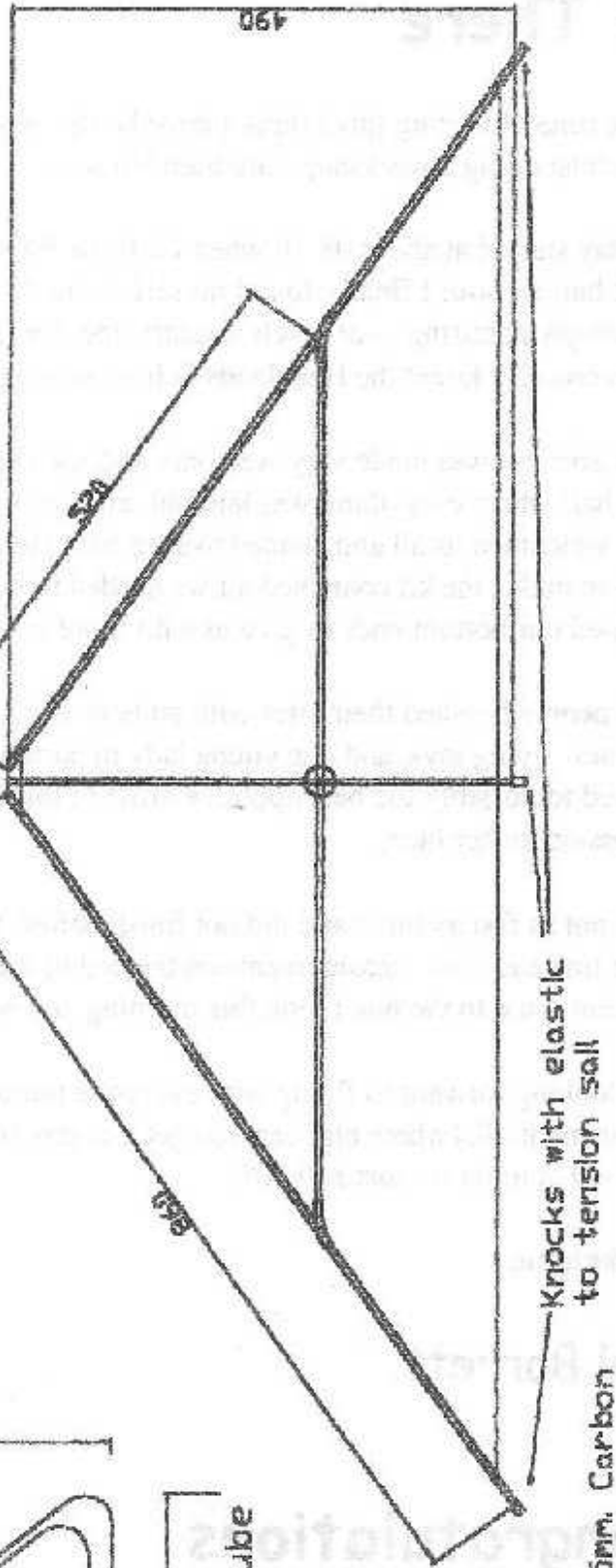


Detail of centre joint



6mm. Aluminium Tube

Decron nose re-inforcing



Knocks with elastic to tension sail

Frame 5mm. Carbon

## A ted in need

One cold dark evening, whilst on the phone to Mr Harvey, the subject of Children in Need came up. A week later on a cold, windy Friday morning and Neil, the teddy pole and I started dropping bears for Pudsy! Two hours, and 300 bears later we finished dropping and we had managed to raise £60.

Pete Willis

*and*

## To the White Horse Kite Flyers

Thank you for your support with Children in Need. The children really enjoyed the day and the staff had plenty of fun as well. The local paper and radio station interviewed the School Head and your Club was mentioned.

Once again thank you for your support

Miss C. Willoughby (teacher)

## Millennium Bears

By now you have probably heard that we are going to try and set a new Parachuting Bear record to celebrate the Millennium. This time we are going for 200 bears from 1000ft. We are going to require a lot of help.

Does any one have a contact who can help with :-  
200 bears each weighing a little under 8 oz.  
1500ft of 9000lb. Polyester line  
2500ft of 1000lb. Polyester line

We also require help with back packs and parachutes. Below is the gore design for an 8 gore 'chute of the correct size. It includes 5mm hem allowance all round. To make the 'chute draw the gore accurately on paper (Note all dimensions are in millimetres). Then transfer the pattern to a piece of card, reverse the paper and then draw in the reverse half. This ensures that the gore is symmetrical. Use the template to mark out and cut 8 gores of ripstop. Sew the gores together along the edges. Next hem the top edge and then sew the first gore to the last to form the canopy. When this is complete hem the bottom edge sewing in the shrouds at each gore joint.

The shrouds should then be separated into 2 sets and sewn into the back pack.

Rules for the Category 1 Classic Method as published by BMISS 1990:



# Hi There

At the time of writing this I think I must be the newest member in the club, I joined about 3 hours ago whilst doing a workshop with Sam Houston.

The day started at about 08:10 when I left the B&B (opposite the Rat Trap), after driving for about half an hour I finally found myself on the M4 heading toward the M5, no I was not lost I was simply admiring your lovely countryside. I managed to turn around and find Swindon again and eventually found the Headlands School at about 09:15.

Upon arrival I was made very welcome and asked if I wanted a cup of coffee, I went through to the main hall where everything was laid out, after picking out my kite kit and talking to other kites Dave welcomed us all and handed over to Sam Houston who explained all about the kite we were about to make, the kit contained all we needed to make a very nice looking Roller, and some of us swapped our bottom ends to give us a bit more colour (in the kite).

Most people finished their kites with an hour to go and began running around proudly displaying their new flying toys, and one young lady in particular who has never made a kite (although she is married to possibly the best appliqué artist in this country) ran around with a very pleased expression on her face,

I was not as fast as some and did not finish before 5pm so I brought the kite back and finished the bridle line and final measurements on the bed of the B&B, I followed Alan back but he went a different route to the one I took this morning and we got there in about 10 mins.

I am looking forward to flying with everyone tomorrow and I would like to say thanks to Dave for organising it all, (where else can you get 2 nights B&B, a full day kite workshop with kite and a meal out at night for just £40.00?)

Thanks again

Paul Barrett.

## Congratulations

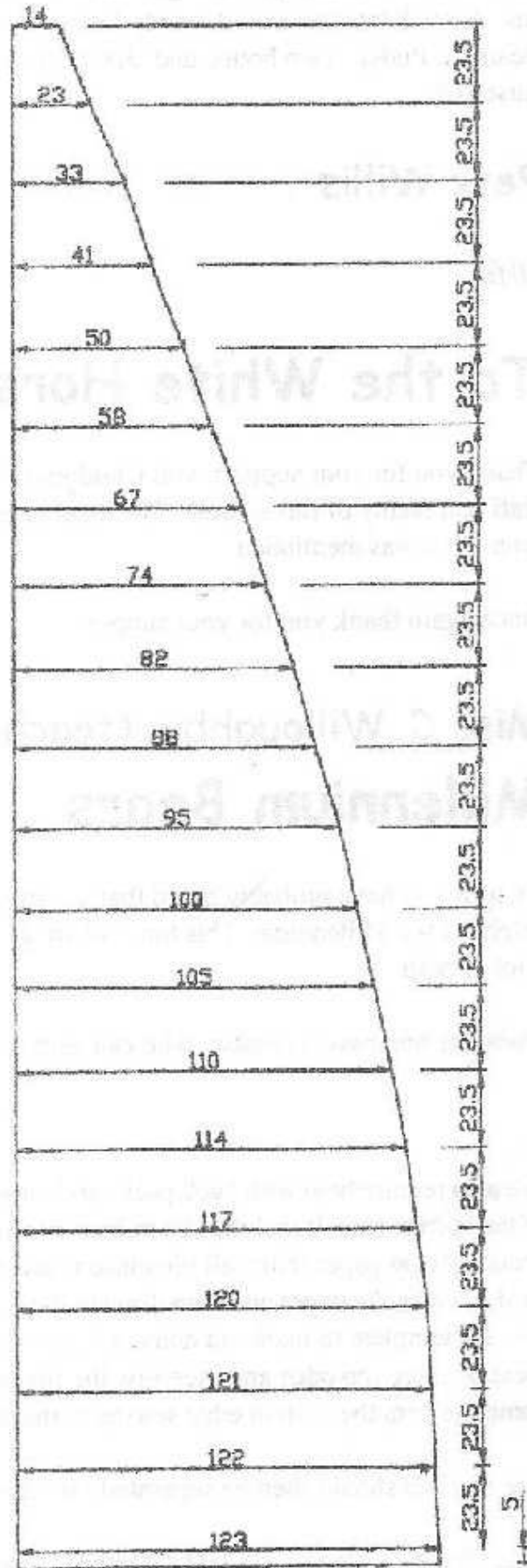
Many congratulations to Paul & Wendy Taylor on the birth of their son Zachary. Maria tells me that he is gorgeous. He's seen here with his grandma Kathleen and step-sister Kylee.



- 1) Fauna must be of soft cuddly type. (If it walks like a teddy bear and talks like a teddy bear...)
- 2) Real parachutes (minimum 8 gores) must be used
- 3) Each parachute must be in a separate pack, attached individually to each fauna
- 4) Minimum weight of each fauna, ready to drop, must be eight ounces (250grams)
- 5) Each fauna must be attached separately to the dropping mechanism(s)
- 6) No bagging, batching or multi-packing allowed.

Arthur

## Millennium Gore Plan



# Minutes of the Annual General Meeting

## White Horse Kite Flyers

14 November 1999

### 1. Welcome

In the absence of the President due to ill health the Chairman welcomed all the members to the AGM. Ron is hoping that his pacemaker will be fitted this month, after which he will be able to join the Club activities.

### 2. Apologies

Ron Gunter, Doug & Angela Manners, Pete Dawson, Dave & Lorraine Tomlinson, Arthur Spencer, Sue Harvey, Claire Samuel, Martin Dibble, Simon & Corrine Hennessey, Carol Cooper, Jerry & Carolyn Swift, Ron & Marla Miller, Len & Jen Purnell, Les & Tayah Purnell, Paul & Joy Methven.

### 3. Minutes of the 1998 AGM

These were published in the December 1998 edition of Cowpat Hill. Accepted as a record of the meeting

### 4. Matters arising from the Minutes

There were no matters arising from the minutes of the last AGM.

### 5. Chairman's Report

The full text of the Chairman's Report is published in this edition of Cowpat Hill.

### 6. Honorary Secretary's Report

The American Representative's report was read to the meeting. There are ten family members in Washington State, the Oregon members (Sony & Kathy Hamner) have not renewed their membership.

Sam Huston's workshop went very well. Interested in getting Dan Kurahashi over from Canada to give a workshop in 2000. He has expressed an interest in showing how to make a train on the first day and a small Edo on the second day. All kites would be made out of tyvek and bamboo.

Lynn Simpson gave a brief report on behalf of the Council. There has been one right of way issue at Barbury Castle in the square field by the toilet block. A stunt kite caused a horse some problems. The complaint was not made by the horse rider but by a member of the public. The Council asked that the use of the fields should be switched, i.e. fly stunt kites in the sloping field, but has accepted Lynn's comments as to the viability of this.

### 7. Honorary Treasurer's Report

Copies of the accounts were passed to the members at the AGM. The Club has made a profit of £694 for the year. Acceptance of the accounts was proposed by Dave Jones, seconded by Barry Poulter and carried.

### 8. Election of Officers

President - Ron Gunter (elected for life)

Chairman - Neil Harvey (proposed Dave Robinson, seconded John Barker, passed)

Vice Chairman - Arthur Dibble (proposed Janet Poulter, seconded John Barker, passed)

Secretary - David Robinson (proposed Janet Poulter, seconded Arthur Dibble, passed)

Treasurer - Janet Robinson (proposed Don Baggett, seconded John Barker, passed)

Editor - Dave and Jane Jones (proposed Dave Robinson, seconded Barry Poulter, passed)

### Committee:

Janet Poulter, Doug Jones, Martin Croxton, Brenda Purnell, Ron Miller, Peter Dawson (has resigned), Caroline Bruce (not at meeting), Phil Scarfe, Pete Willis.

With the exception of Peter Dawson and Caroline Bruce all are willing to stand for a further year.

Don Baggett, Donald Capewell and John Caton were proposed for the committee by Dave Robinson, seconded by

Don Baggett, Donald Capewell and John Caton were proposed for the committee by Dave Robinson, seconded by Barry Poulter and passed

£50 Honorariums for Dave & Jane Jones (Editors, Cowpat Hill) and Janet Robinson (Treasurer) were proposed by Arthur Dibble, seconded by Barry Poulter and carried. £100 Honorarium for Neil Harvey (Chairman) was proposed by Dave Robinson seconded by John Barker and carried

#### 9. WHKF Festival

The Chairman has a good rapport with the new contact at Wroughton – Rebecca. Dave Robinson has identified a German flier who builds traditional kites in traditional material who might be a good guest. Intending to invite the same traders as last year, with no additions. Sarah Capewell and Diana Baggett have asked that there should be more available for children and have volunteered to look after a bouncy castle if one is made available.

It was agreed that there should be a beer tent again. It was also agreed that there would be no competitions, that it would be a kite flyers festival.

Looking into getting a better marquee for next year.

Official invitations to other clubs were discussed. This has not been done in the past. Karl Longbottom indicated that MKF would be willing to attend but would make a charge. It was agreed that the Megateam would be invited. Dave Robinson to get a contact for the paper plane group to have an activity in one of the hangers.

Arthur Dibble is in touch with the model rocket society

Doug Jones suggested getting the local papers involved with making or designing kites. This will be looked into. One member asked if it would be possible to get the camping moved in front of the hangers. This will be discussed with the staff at Wroughton.

#### 10. Other Events

1999

Mince Pie Fly at Bibury - 27 December

2000

Stowe - 6 & 7 May

Scout Workshop at Faringdon - 27 May

Workshop at Basingstoke - 3 & 4 June

Wiltshire Steam Rally at Wroughton - 10 & 11 June (this is a full weekend including bar and camping)

Cleethorpes - 20 & 21 May (to be confirmed)

Workshop at Middle Wallop - 5 & 6 August (to be confirmed)

Neil Harvey has been asked to organise an event at Stoner Park (near Henley-on-Thames), they are looking to do their own festival. The provisional date is 17 September.

Full details of these and any other events will be published in Cowpat Hill.

#### 11. Equipment for 2000

Arthur Dibble has produced a draft of a brochure, copies were circulated at the meeting. Comments were passed to Janet Poulter before the end of the AGM to enable this project to continue its current impetus.

Club does not need any other equipment apart from the music speakers for demonstrations, which are being sought at present. New tape deck and P.A. equipment was bought last year.

Neil Harvey is looking for new, larger marquees although this is not an urgent requirement.

No other suggestions for equipment were forthcoming from the members at the meeting.

#### 12. 2000 Club Projects

Neil Harvey would like to see two projects in 2000:

- train of lifting kites such as flares, deltas or roks
- bigger teddy bear parachuting attempt, for example 200 bears from 1000 feet.

The club members agreed that both of these would be good ideas. Plans for both projects will be published in the next edition of Cowpat Hill.

Arthur Dibble suggested some sort of clothing to commemorate the millennium. Barry Poulter suggested a patch,



Arthur Dibble suggested some sort of clothing to commemorate the millennium. Barry Poulter suggested a patch, Dave Robinson volunteered to look investigate further. Since the festival next year will be the 10th it was suggested that this should be commemorated. Club members are asked to submit designs, which must include a kite, to the PO Box of Dave Robinson by the end of January.

### 13. Any Other Business

All the club members who provided raffles prizes were thanked, in particular Ron & Maria Miller who sent several. Cloth is now available through the club at a cost of £1.70/m, most is 60" wide, there is a limited range of colours. There will be a charge for postage

Windsocks are still available through Arthur Dibble.

### 14. Close of the Meeting

In the absence of the President the Chairman closed the meeting and thanked all the club members who attended the meeting. He also thanked all those who had helped during the last year.

## Thanks to Janet Poulter for the minutes. (Ed)

## Dear All

It is with sadness that I have to tell you of the death of my father, John Irvine. Dad died peacefully in Stoke Mandeville hospital in mid November. He had been an in-patient at Stoke for fourteen months and we had worked hard to try and bring him home to his bungalow to restart his life. Part of this was taking him to some of the local kite festivals where some of you may have seen or met him. The first of these was our own festival at Wroughton where, despite the rain, he was able to get around the airfield and look at the exhibits, watch the flying and try the hotdogs. He spent the next two weeks telling all the staff at the hospital what a wonderful time he had had. We went to the Thatcham festival next on a very sunny Saturday. Dad got to fly his Indian fighting kite and the fan kite I had won in a WHKF raffle, which I had given him. We also gave his toy elephant a few drops from the bear bunging rig. A truly memorable day. Dad's health started to decline and the hospital advised us to try and boost his spirits so we took him to Middle Wallop in some of the worst rain I have seen for quite some time. Not such a good day but he still talked about it for some time, he was particularly interested in the buggies and thought they were marvellous. Dad's last visit was to One Sky One World at Barbury and by this time I think we all knew how ill he was. He slept through most of the visit but enjoyed himself never the less.

We had covered the wall of his ward with pictures of his festival visits, his Indian kite and some small Japanese kites, which gave him lots of opportunities to talk with the staff about his new hobby.

He will be missed

Regards

Doug Irvine

# STACK UK Boot Camp 1999

Or

**"Sorry we missed the AGM but we were elsewhere."**

Bristol festival '99 and we are sitting in the cabana watching Evolver do their amazing pairs routine. When it finishes Paul Reynolds, the commentator, gives some information about Evolver and then goes on to mention that STACK UK would be holding a training camp for would be teams in the autumn, cost about £130. I used to belong to STACK in 1992 when I started kite flying but was put off competing by the attitude of some of the STACK committee, so I didn't think I would be interested however I soon learned that this event was being organised by Kathy Jarvis from Punchline my mind started to change.

I had forgotten about the Boot Camp when I next met up with Pete (the one on the end is Pete) Dawson who told me he had booked his place on the camp and was I (that is David, my son, and I) going? This was going to be expensive and could I get it past the boss without three weeks penance? Fortunately my work stepped in and offered me some overtime so I booked two places. I then got on the phone to Doug (Doug Doug) Manners to see if he wanted to go as well. Doug signed up and we were all set.

The joining instructions arrived and I started work building stick kites for the team. The templates we had received were for Air Dynamics T2s but as we fly Flexifoil Matrix kites I had to build some of them. Each stick took about three hours to make and Pete managed to loose his before we got to the event!

The weekend soon rolled around and we all drove off to Weston super Mare in our Team bus. We were greeted at the hotel by our coaches for the weekend: Jeremy Boyce, Mark Bretherton, Kathy Jarvis, Mark Lummas, Jeanette Lummas and Carl Robertshaw. A list of some of the best sport kite flyers in the U.K.

We checked in to the hotel, unpacked our kit and got ready for the event.

Eight pm and we are seated in a private room greeting our other bootcampers. Kathy Jarvis made us all welcome and then it was the first competition of the weekend. We had to nominate a spokesperson who would then give a brief resume of the team using STACK rules! Pete was press ganged into being our spokesperson and managed to draw first up to speak. He called "IN" and started, nearly crashed a couple of times but gave a good account of each team member. After frantic waving telling him time was nearly up Pete called "OUT" just in time. The meal arrived next which was of a high standard, in fact the catering for the whole weekend was very good. We were going to practise precision on the beach for the first real day of the camp and so we spent the rest of the evening going through STACK rules, figures and procedures. We then started stick practice of the compulsory figures we would have to fly, in competition, the following day. The sight of over 25 grown adults waving small kites on long sticks is something to see! We went to bed that evening at midnight feeling very happy.

Saturday dawned with light winds and overcast but at least it wasn't raining. We breakfasted at eight and then took the gear down to the beach. I had built new sides for my gazebo which Velcroed on. The idea looked ok on paper and worked well until the wind came up – back to the drawing board! We set up our range of Matrixes and were the first team in the air as all the other teams were using kites and lines provided by the course. We started practising the compulsory figures and realised that we can't land very well so we all practised landings. Unfortunately the landing part of the figures was removed from the competition so we shouldn't have worried! The competition came round really quickly. No sooner than we had stopped for lunch and Geoff Strangeway was setting up an arena. We went to the pilot's meeting and again drew slot 1. We set up in the arena and started our warm up. Once the judges were ready I called "TN" and we did our first figure in a competition. We had four figures to complete and we only crashed in one, quite an achievement. With six teams to take part it soon became clear we were going to lose the light and the last team had to compete in very murky conditions. We packed up all the gear and shot back to the hotel for supper and the next theory session. After supper we learnt about ballet and how to create your own routines. We were given a set ballet routine to use the following day and once again practised with our sticks until late. I think it was at this point that I suggested to Pete that we had a collection for the coaches and off he went to chastise all the other teams. Please note that David did get an opportunity to do his homework, in between returning from the beach and eating, and I've got the photo to prove it!

Sunday morning and the weather was very similar to Saturday's. Lots of whispering at breakfast as Pete collected donations from all the teams, he then slinked off and bought lots of chocolate which he slashed beneath the van. Down on the beach we had given up with the gazebo and just used the van as our headquarters. We did more stick practise but couldn't remember what went next. (something to do with age I'm told) We tried the routine and crashed, tried again and crashed but finally we completed it. We were the only team (I believe) to complete the ballet from start to finish. There was much congratulations all round. Lunch loomed and then it was time to draw a slot, I pulled the number two slot this time. We waited patiently and then prepared to fly. The music started and off we went. Things were going really well until we went into a wrap and then two of our kites collided and crashed. We carried on and managed to get one of the crashed kites back into the air. We finished the routine and left the arena. Once all the other teams had finished there were four mega teams put together and we all flew until it got dark.

We went back to the hotel for a de-brief and prize giving. You can imagine our surprise to have finished in second place overall and were even more surprised when we were each given a pair of Carl Robertshaw WAH pad air brakes as prizes. Each camp member was given a voting slip and we had to vote for our 'man of the match'. It went to Pete! He won a really neat wind meter, I reckon it was fix.

Just before we left we were all given certificates to say we had taken part and a limited edition STACK UK Boot Camp T shirt.

Was it worth it? Absolutely, one of the best kite related events I have ever taken part in. Would I (we) do it again? Certainly, when's the next one. If you want to learn about team flying, for fun or competitively you couldn't do better than attend this course.

**Doug Irvine (Team Leader Matrix Management).**



## Sky Chat

Well by the time you read this it will have happened. We shall be in the 21<sup>st</sup> Century. We will know whether our trip to LONDON on New Years Eve was worth it or a complete flop, still we shall see The London Eye and some of the Razzmatazz. Now to look back a little. The AGM went well, but I thought that a few more of you would have had more to say. Thank you all that attended and supported the raffle, both with prizes and tickets. The Mince pie Fly-in has gone like the wind. It was a pity that there was a lack of wind, but it remained dry all day. Nice to see so many of you especially Our American Rep and his wife. (Oh so formal,) Ron and Marla who were over for a few days. Again many thanks for your support of the raffle and refreshments. Nearly two hundred pounds was raised for Fairford Hospital Fund, a great effort and result.

Plans are on going for this season with some new events so we will be needing as much help as possible again. I keep on saying it is fun, but it is when you look back although you may be close to collapsing at the of the day. The autumn workshops are being sorted out and details will be announced in due course. Plans for the two Club Projects will be printed, that is for a Conyne Delta Train and 200 parachutes for the attempt of 200 Teddies from 1000ft. If there is a request for a workshop to do these projects we will try and set one up. In the mean time sort yourselves out to what you can do towards them. The club will supply the materials for projects.

Well as usual I have carried on and probably forgot something to tell you, but I doubt if it is earth shattering and it can wait till next time. So that leaves my to wish you and yours and everybody else a Very Happy, Healthy and Prosperous New Year. Here's to clean winds and tight lines.

Neil

PS Well we survived THE BIG TIME but only just. I do not think I will offer to do another one for a thousand years. The White Horse Kite Flyers showed the flag in very difficult conditions, first there was very little wind (what's new) then on Westminster Bridge the Kite Fliers only had a part of the pavement fenced off, being about 40metres(2000 now no more yards) by about 2.5 to 3 metres wide. Still we all managed to fly something from 11.00am to 7.00pm. It was a shame that it was only the very light wind kites took to the air, but it did include Janet's **Elephant**. One up to you Janet. We also took some of our WHKF sleds to give away and at one time there was about a dozen of them flying. Just like most times when we do a workshop a sky of green tadpoles.

We took the big kites but they did not see the light of day, still we did have a great position on the middle of the bridge under The London Eye. The things that I will remember were the crowds, the good nature of everybody there and the noise.

Just in case you are wondering why this page is different my E-mail did not get to Dave. (I must try harder to sort out this 21<sup>st</sup> Century stuff)

Neil again.



## Chairman's Report

Before I start this report it has been written with "Cowpat Hill" in mind. So time to time I may, I say maybe wander from the text. I hope I will not ramble on for too long.

Well another AGM another year, where has the time gone. It only seems like last week I was standing before you talking about 1998, and here we are running very quickly into 2000. A new century and a new millenium, its making me feel a lot older than just another year on. We will start by looking back before looking to the future.

Last year was again a busy year even though Dave R was worried at this time last year that the diary was looking a bit empty. In the end there were very few weekends that the Club was not showing the flag some where. As usual we had the dry days and we had the wet days, some days with wind, some days with out it and some days we even had clearing up storms. On the whole most events went well, some of the workshops did not go with the enthusiasm we had expected and others we were snowed under with children and at the end of the day only to thankful to put ones feet up. I must thank very much all those that helped in the workshops and with displays. It is with these efforts of members that keeps the Club in the public image and that looks as if it is growing ever year.

More members have been travelling more and more further afield, be it in this country or abroad and with reports coming back they all say that they have had a wonderful time. It looks like that a good many more are intending to do the same this coming year. This year the Club purchased a 48 foot mast from Vic Walker for dropping Teddy Bears. It has proved its worth already on windless and iffy days and also in tight unsuitable sites for kite dropping. The children love it, may be they are a bit like Dave R, not so far to run.

I cannot go through this report without mentioning That Woman from America. How many times was it this year! How many times will it be in 2,000, I would think at least three starting with the Mince Pie Fly-in and the New Year. As we all know what it is like to be "Marlarized" it was great to hear of another victim, sorry another conquest when she persuaded Dave and Jane Jones to carry on with "Cowpat Hill" for another year. Thank you Dave and Jane for doing a great job with the Mag, so keep the articles coming in to maintain the reputation it has gained. Thank you Marla for exerting the right pressure at the right time.

Keep on coming over we love you.

Now to the future. Well what will happen into this new millenium, will all are kites catch the BUG and refuse to fly, will we have to re-equip, will the marquees not open up and we will get wet when the clearing up showers just keep raining. Or will it have been over hyped just like the GREAT ECLIPSE. Well we still have to make provisions just incase nothing happens. The Festival is under way at Wroughton on 13<sup>th</sup>-14<sup>th</sup> of May and we shall be discussing guests etc later on to today, plus many more things. Other events are also in the pipeline, some more forward than others, but it looks like another busy season. As I have said so many times before "today is your day to speak up" so do not be backward in coming forward with ideas. Although 2,000 is just around the corner the Club has not yet got a project with which to celebrate the year with, some ideas but no firm commitment. As Wurzel Gummage would say get yer think heads on.

Now on a personal note, as most of you know my health has and is not as good as I would like it to be. At this moment in time I'm not too bad so keeping fingers crossed 2,000 hopefully will be a better year for me. It may have gone against the grain to be told to sit down and do not do this or the other and do not forget your stick but at most times I did need to do that. So thank you to those who did bully me and did what I was about to do and to those who did the jobs before I had chance about thinking of doing them. Thanks to all Club members for all their hard work with all the laughs and sometimes the frustrations, but mainly the joys in running events and meeting Joe Public to show them the brilliant hobby and pastime of Kite Flying.

So here's to 2'000 with bubbly up your noses, not sand  
Neil

# And finally a note from the Editor

Here we go again, another year, another century, another millennium but the same old editorial team. Thanks for all your kind words at the AGM, it seems that the power of Marla cannot be defeated. I hope you all had a Merry Christmas and Happy New year (if you can remember).

Thanks to all our contributors this issue, especially the newcomers, there are so many articles this time that I've had to hold some over until the next issue. However, you cannot afford to get complacent, so keep those articles coming.

I hope many of you will get involved in the parachuting teddy drop and don't forget your pin designs.

dajjmj@tesco.net

## Kite Flying Safety Tips

### The NEVERS of Kite Flying

- Fly a kite in wet or stormy weather, try to keep your kite line dry.
  - Fly a kite near power lines, transmission towers or aerials.
  - Fly a kite with wire or anything metallic in the line.
  - Fly a strong pulling kite without wearing GLOVES.
  - Leave odd bits of flying line etc on the flying site.
  - Fly a kite at over 200 feet\*.
- \*Kite festivals may have C.A.A. clearance to fly higher.....ASK!

### The Things to AVOID

- Motorways, roads, car parks railway lines or buildings.
  - Airfields and low flying air traffic patterns.
  - Members of the public...stunt flyers please take care!
  - Those kite eating trees.
  - Animals, they can be frightened by kites.
- Remember...your kites can get really quite lonely up high in the sky, just occasionally, look up and give them a little SMILE.*

.... AND PLEASE, MIND THOSE POWER LINES!

## Where the WHKF go to fly their kites

WHITE HORSE KITE FLYERS fly at Barbury Castle Country Park, Wroughton, Swindon, Wilts on the SECOND Sunday of each month  
Will YOU be there?

Local WHKF contacts are:

Neil Harvey on: (01285) 740295

Arthur Dibble on: (01635) 865976

Dave Robinson on: (01793) 824208

and

Lynn & Brian Simpson on: (01793) 845346

COWPAT HILL

Journal of the White Horse Kite Flyers

Editorial Team: Dave & Jane Jones

15 Bucklebury Close, Stratton St. Margaret, Swindon, SN3 4JH

Tel: 01793 823493

Club Subscription: £8.00 (One year UK)  
(including postage and kite flying insurance)

Whilst every care is taken when compiling this journal the WHKF cannot accept responsibility for any errors or omissions which may occur.

The views in this magazine are not necessarily the views of the Editor or WHKF